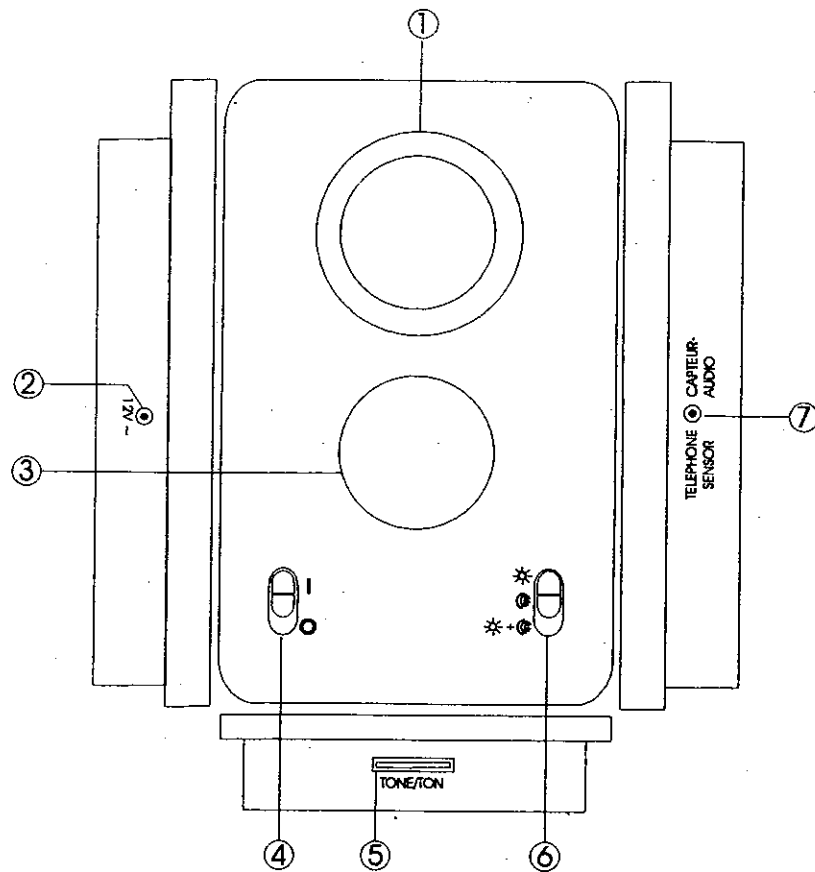


TELEFLASH



- 1 Sounder
- 2 Power Socket
- 3 Xenon
- 4 ON/OFF Switch

- 5 Tone control
- 6 Flash/sounder control switch
- 7 Telephone Sensor socket

Connecting

- Attach the audio sensor to the underside of your telephone and plug the other end to the telephone sensor socket (7) on the right side of the Teleflash.
- Connect the power adaptor to the 12v power socket (2) on the left hand side of the Teleflash, and plug the other end into the nearest mains power point.

Use

- Turn on the Teleflash by using the On/Off Switch (4) on the front of the unit. Select between flash only, sounder only or flash and sounder by using the Flash/Sounder switch (6) on the front of the unit.
- Select the type of the tone you require by using the Tone control switch (5).

